

GV-POC0100 1-Port BNC PoE over Coaxial Extender



- 1-Port 10/100BaseT(X), PoE over Coaxial Extender
- IEEE 802.3at compliant
- Extension up to 230 m (754.6 ft) via RG11 (7C) and up to 180 m (590.5 ft) via RG6 (5C2V)
- Pocket size with rigid metal case
- Smart Plug and Play
- Adapt to buildings with existing Coaxial Cables and power source
- Power source free at remote site
- Optional DC inputs to enhance the output PoE at Receiver site
- Compatible with GV-IP Camera

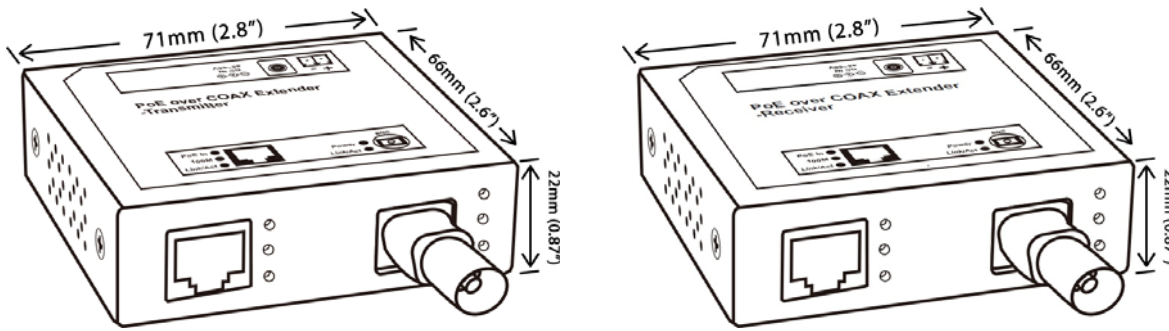


Introduction

This Power over Coaxial Cable Extender Transmitter/Receiver is a 1-port 10/100BaseT(X) PoE/PoE+ PD and 1-port BNC PoE over Coaxial Extender Transmitter/Receiver. It is designed to extend IP Ethernet transmission and inject power over an existing coaxial cable for distance up to 230 m / 754.6 ft (RG11) or 180 m / 590.5 ft (RG6) into PoE IP camera.

The Extender consists of a Transmitter and Receiver pair, which can work in pair without any power adapter anywhere on your network infrastructure. It is perfect solution for sending IP video links and power to remote PoE IP camera installation that is beyond the 100-meter (328-feet) distance limit of Ethernet.

Dimensions



Specifications

Ports		
Number of Ports	1-Port, 10/100BaseT(X), PoE over Coaxial Extender	
Network Standard	IEEE 802.3 10BaseT IEEE 802.3u 100BaseTX IEEE 802.3af/at	
Connectors	Ethernet: 10/100BaseT(X), RJ45 Connector, Auto-MDI/MDI-X BNC Connector	
Cables	PoE: Cat.5e above PoC: RG6 (75Ω), RG11 (75Ω)	
Mechanical Characteristics		
LED Indicators	Transmitter	5 LEDs: PoE Out, 100 m (328 ft), Ethernet Link/Act, Coaxial Power, BNC Link/Act
	Receiver	5 LEDs: PoE In, 100 m (328 ft), Ethernet Link/Act, Coaxial Power, BNC Link/Act
Electrical Characteristics		
Power Input	Power Adapter: 100 ~240V AC to 54V DC / 0.92A 5.5/2.1 mm DC Jack and 2-pin Terminal Block	
PoE Power	IEEE 802.3at Compliant Voltage, Per Port Max. 30 watts	
Power Output and Range	For typical copper-core video coax. A full-rate network connection can be established over RG6 (5C2V) and RG11 (7C) The PoE power availability (measured from PoC Receiver PoE Out port) depends on the length of coaxial cable and power source connected to the Transmitter: <ul style="list-style-type: none"> PoE+ switch: 10.45 watts max. (RG6) and 18.06 watts max (RG11) External 54V power supply: 14.05 watts max. (RG6) and 26.34 watts max. (RG11) 	
General		
Dimensions (H x W x D)	22 x 71 x 66 mm (0.87" x 2.8" x 2.6") (BNC Connector excluded)	
Weight	135 g (0.3 lb)	
Operating Temperature	0°C ~ 50°C (32°F ~ 122°F)	
Storage Temperature	-20°C ~ 85°C (-4°F ~ 185°F)	
Humidity	10 to 90% RH (non-condensing)	

Note: Specifications are subject to change without prior notice.

Front Panel



Back Panel



Packing List

1. Power over Coaxial Cable Extender Transmitter x 1
2. Power over Coaxial Cable Extender Receiver x 1
3. Installation Guide x 1
4. Power Adapter x 1
5. Power Cord x 1