

## DS-1703ZJ

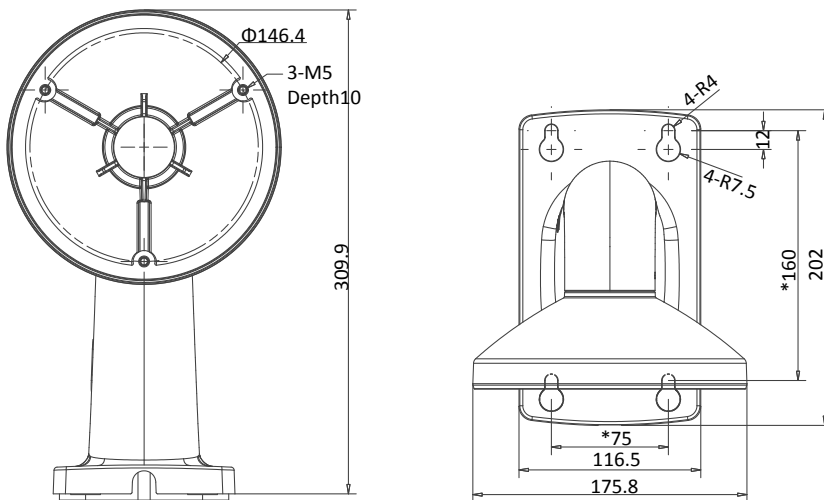
Anti-Corrosion Wall Mounting Bracket  
for Dome Camera



### Features

- Stainless steel material
- Anti-corrosion design
- Design of cap is for convenient wiring

### Dimension



### Available Model

DS-1703ZJ

### Parameters

Model	DS-1703ZJ
Parameters	Anti-Corrosion Wall Mounting Bracket for Dome Camera
Appearance	Unpainted Stainless Steel
Material	Stainless Steel
Dimension	202x175.8x309.9mm
Weight	3330g

### Notes

- The bracket should be installed on flat wall.
- Waterproof rubber is necessary for outdoor application.
- The wall must be capable of supporting over 3 times as much as the total weight of the camera and the mount.
- The maximum load capacity of the bracket is 5KG.