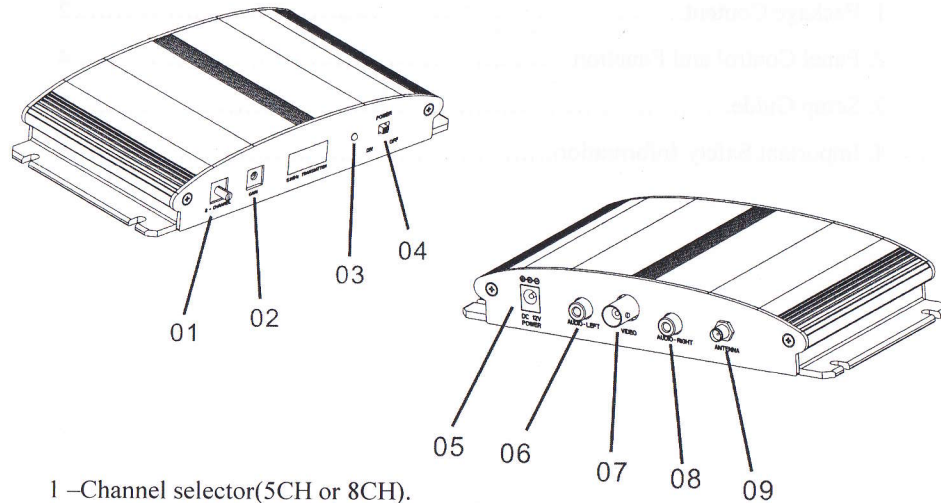


2 Panel Control and Function

5.8GHz Transmitter / 5.8GHz Receiver



1 –Channel selector(5CH or 8CH).

8CH→No : 0,1 is CH1 : 8,9 is CH8

5CH→No : 0,1 is CH1 : 5,6,7,8,9 is CH5

2 –Video level adjustment

3 –Power indicator light.

4 –Power ON/OFF switch.

5 –DC power input.

6 –Audio jack left (white).

7 –Video jack BNC connector.

8 –Audio jack right (red).

9 –Antenna SMA connector.

3 Setup Guide

To enjoy a life of wireless video and audio, just connect the transmitter to any A/V source you like and connect the receiver to a TV, monitor or speaker in another location.

NOTE: Make sure the ON/OFF switch is in the 「OFF」 position before connection

Transmitter

1. Connect one end of the RCA cable (or scart cable) to the audio and video jacks, and connect the other end to a source device via its “AV output”.
2. Connect the DC plug of the adapter to the DC jack, and connect the power supply to an outlet.

Receiver

1. Connect one end of the RCA cable (or scart cable) to the audio and video jacks, and connect the other end to a TV (or monitor, speakers) via its “AV input”.
2. Connect the DC plug of the adapter to the DC jack, and connect the power supply to an outlet.

